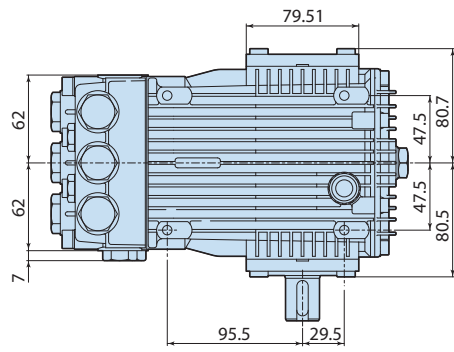
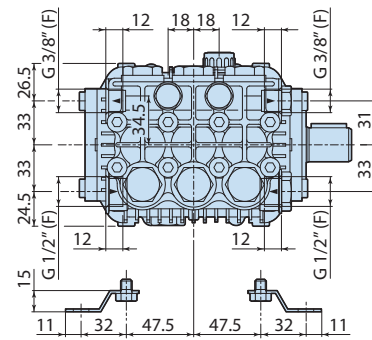
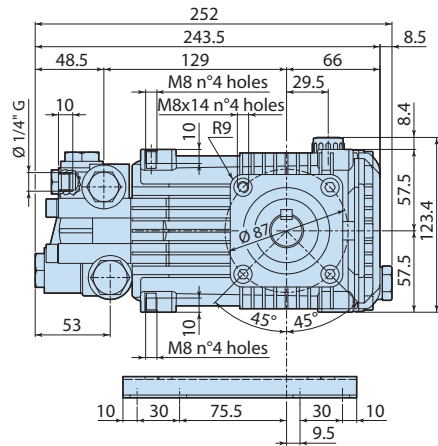
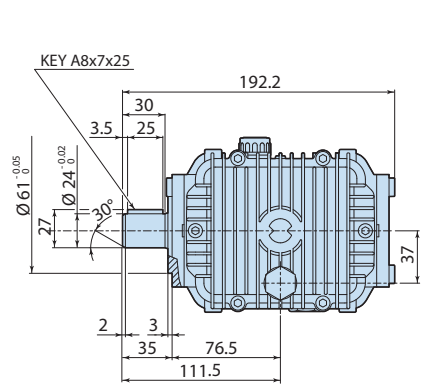


Description

3-piston alternating volumetric pumps for use on cleaning units and industrial systems.
 Pump body and cover in die-cast aluminium alloy.
 Rear cover with oil drain outlet and oil sight glass. Cap with dipstick for oil level on body pump.
 Pistons driven by crank-connecting rod mechanism.
 Pump shaft in pressed high-strength steel.
 Oversized friction bearings.
 Connecting rods in bronze.
 One-piece ceramic pistons.
 Pump head in nichel-plated brass.
 Double gasket sealing system.
 Intake and delivery valves have plugs for easier maintenance.



Details	Value
Category	Cleaning
Series	228 - RK, RKA, RKV
Pump type	RK 21.20 H N
Versioning	N
ARCode	21129
Output (lt/min)	21
Output (gpm)	5.55
Pressure (bar)	200
Pressure (psi)	2900
Power (hp)	10
Power (kw)	7,5
RPM	1450
Weight (kg)	9,5



1388523